

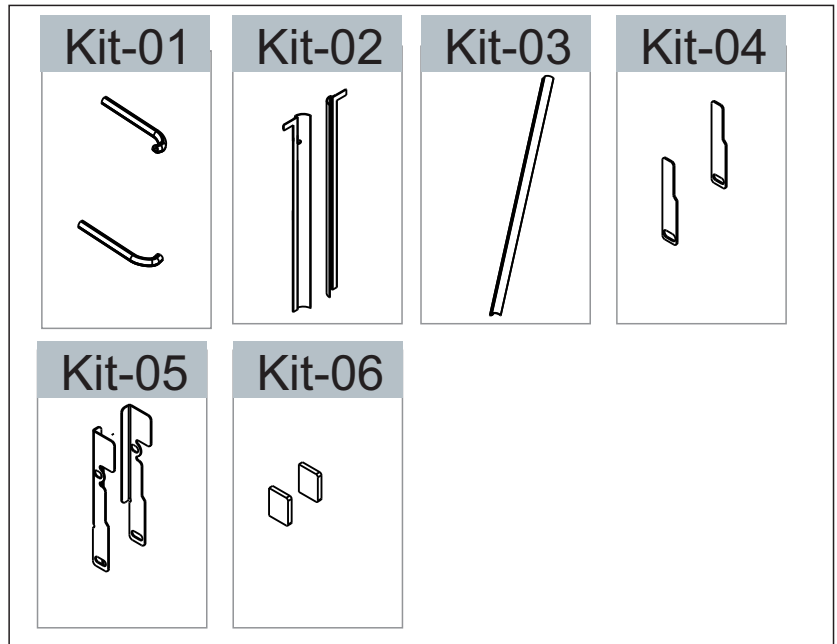
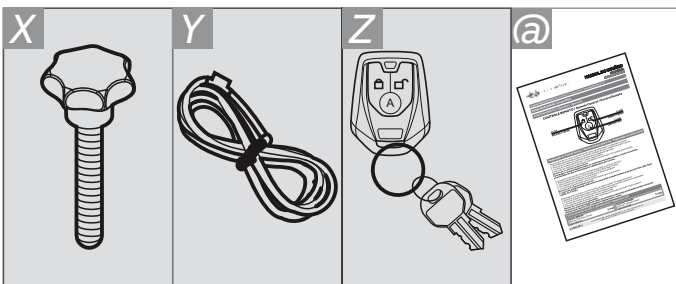
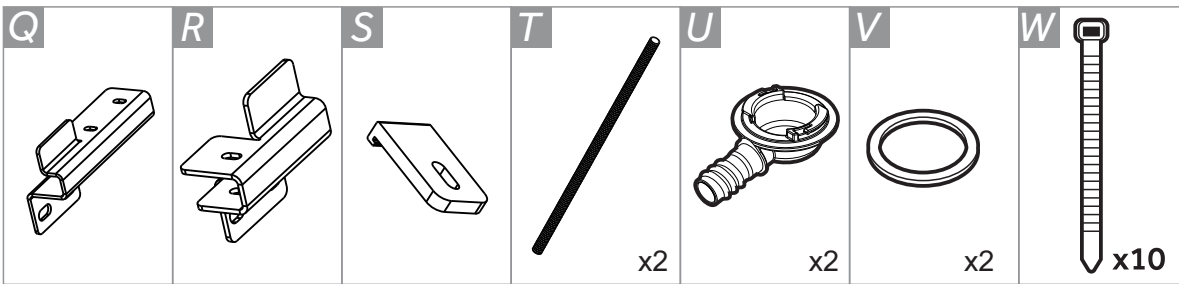
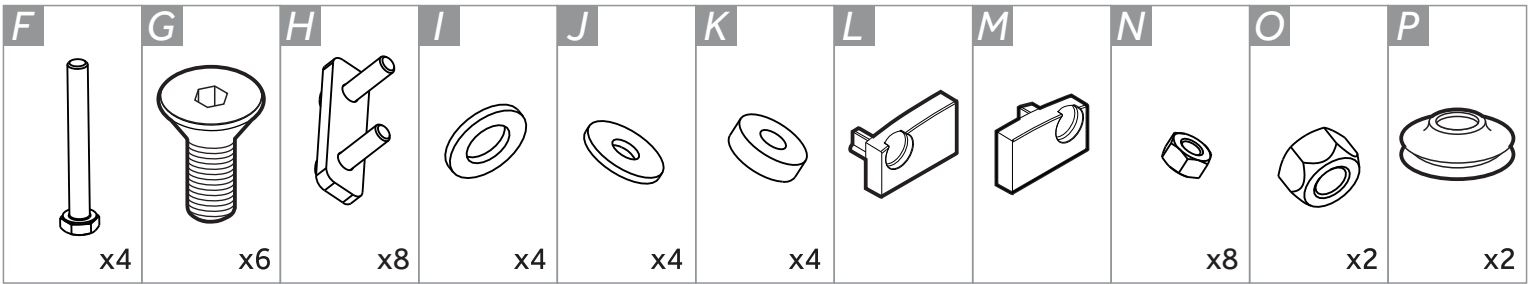
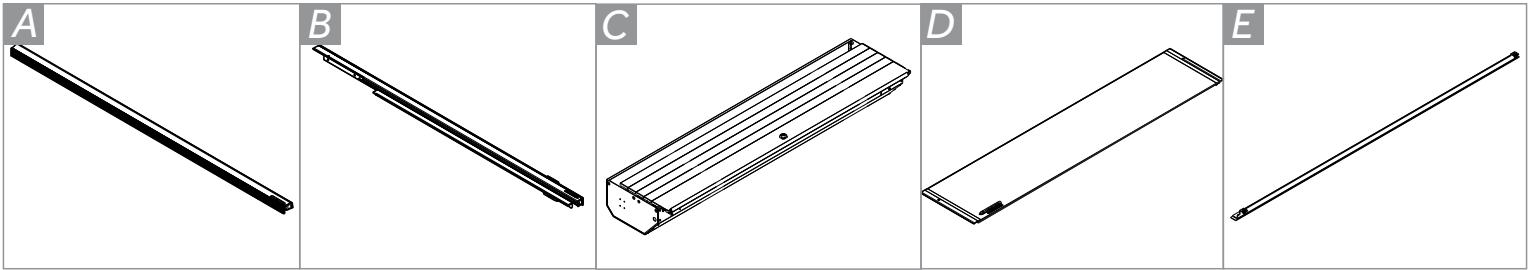


# INSTALLATION INSTRUCTIONS

## Aluminum Retractable Tonneau Cover

K288AT Aluminum Retractable Tonneau Cover Ranger CD 24- Automatic  
K288MN Aluminum Retractable Tonneau Cover Ranger CD 24- Manually

### COMPONENTS



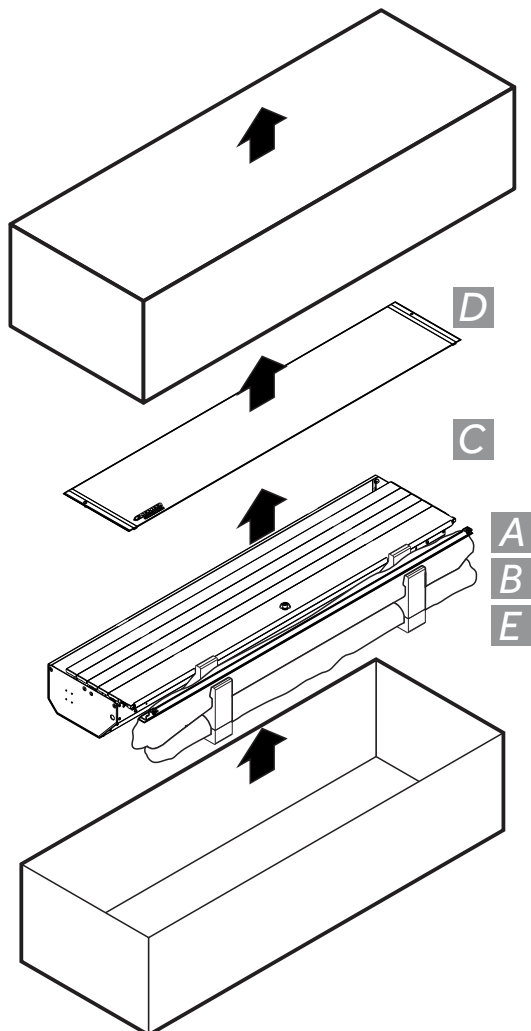
## TOOLS

						
		<b>10 mm</b>	<b>4mm e 5mm</b>	<b>PRIMER</b>	<b>Betaprime 5504G</b>	
						
<b>SILICONE LUBRICANT</b>		<b>ALCOHOL</b>	<b>Ø30mm</b>		<b>CLEAN CLOTH</b>	<b>GLOVES</b>
						
	<b>+</b>	<b>L WRENCH 13mm</b>	<b>TORX WRENCH T30</b>	<b>RUBBER HAMMER</b>	<b>BLACK PU</b>	

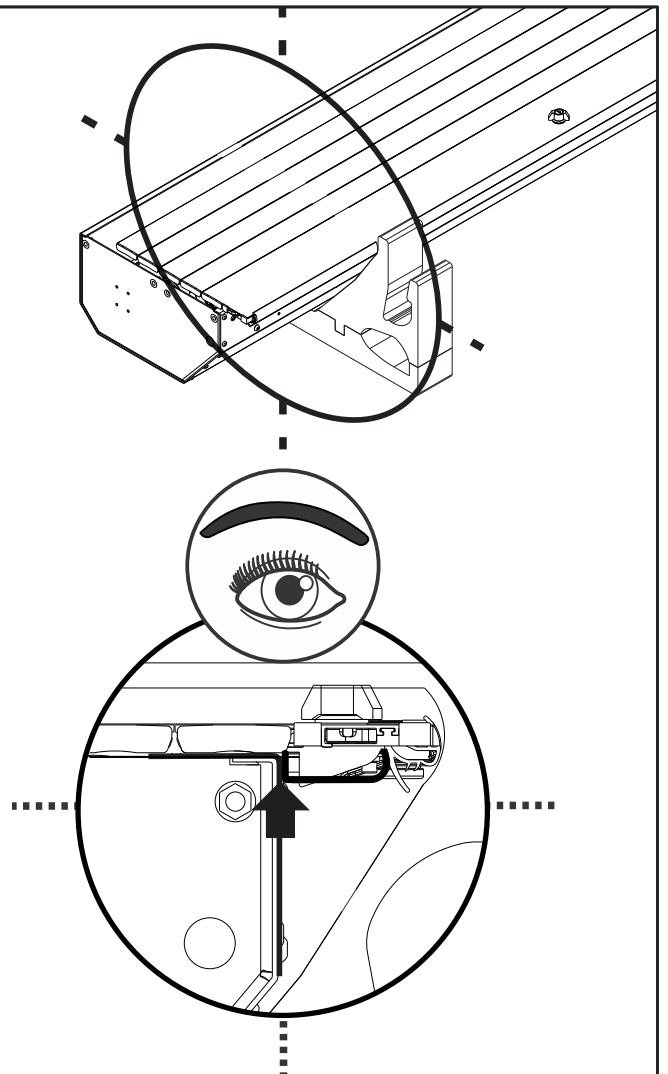
## INSTALLATION INSTRUCTIONS

### Unpacking the Product

1

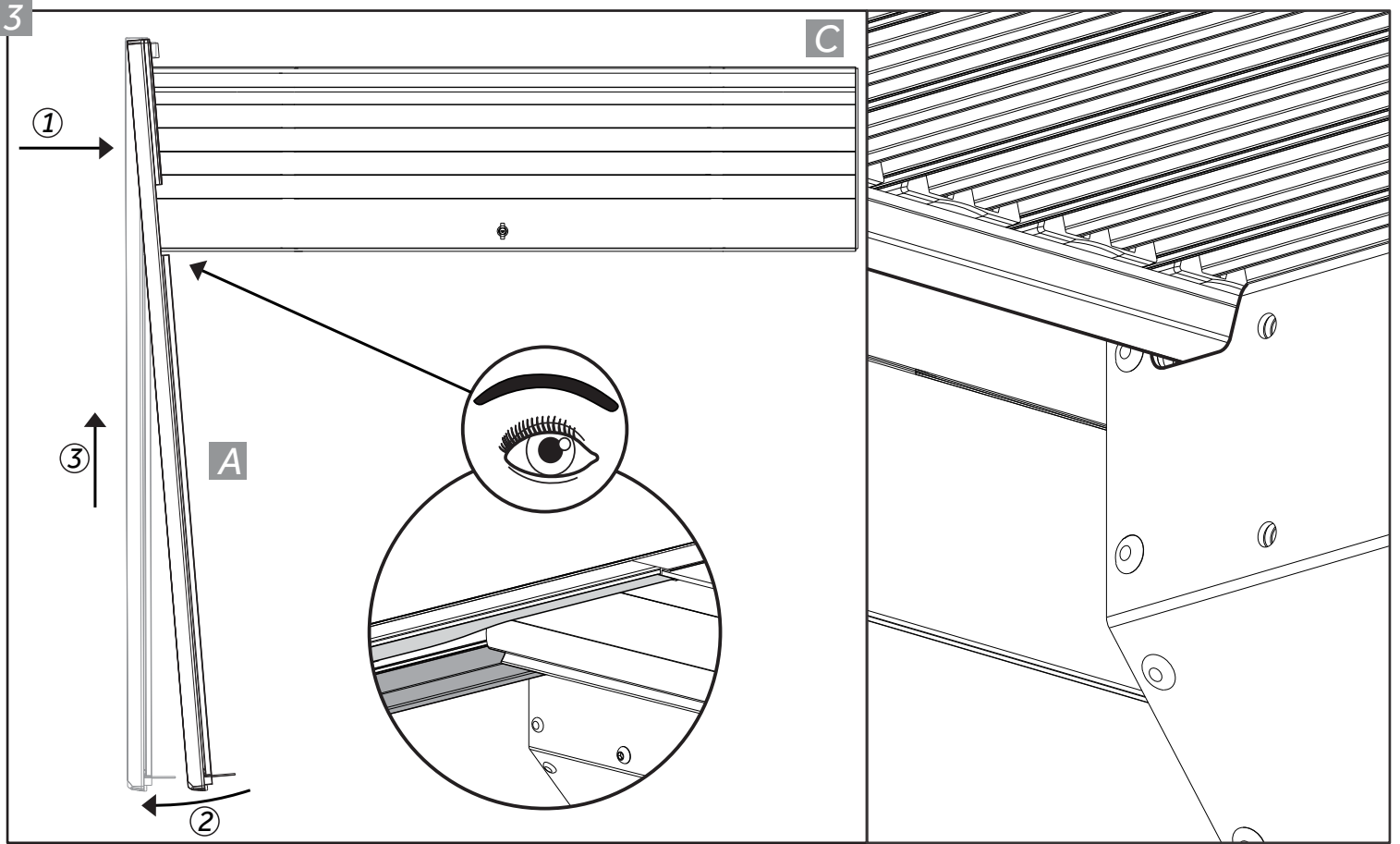


2

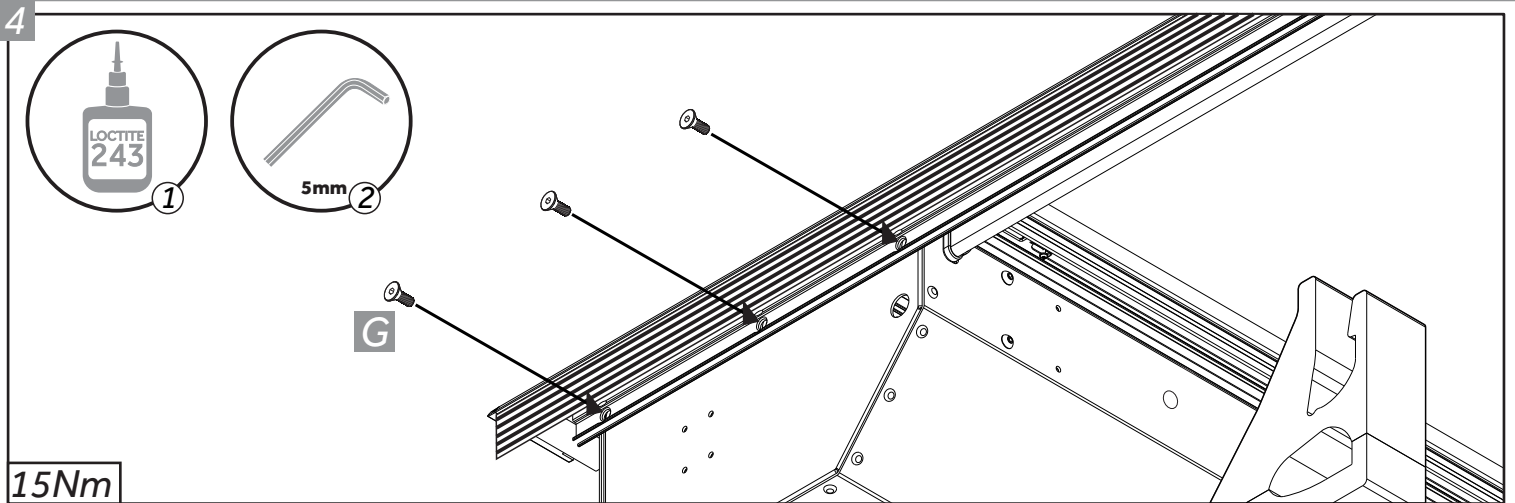


# INSTALLATION INSTRUCTIONS

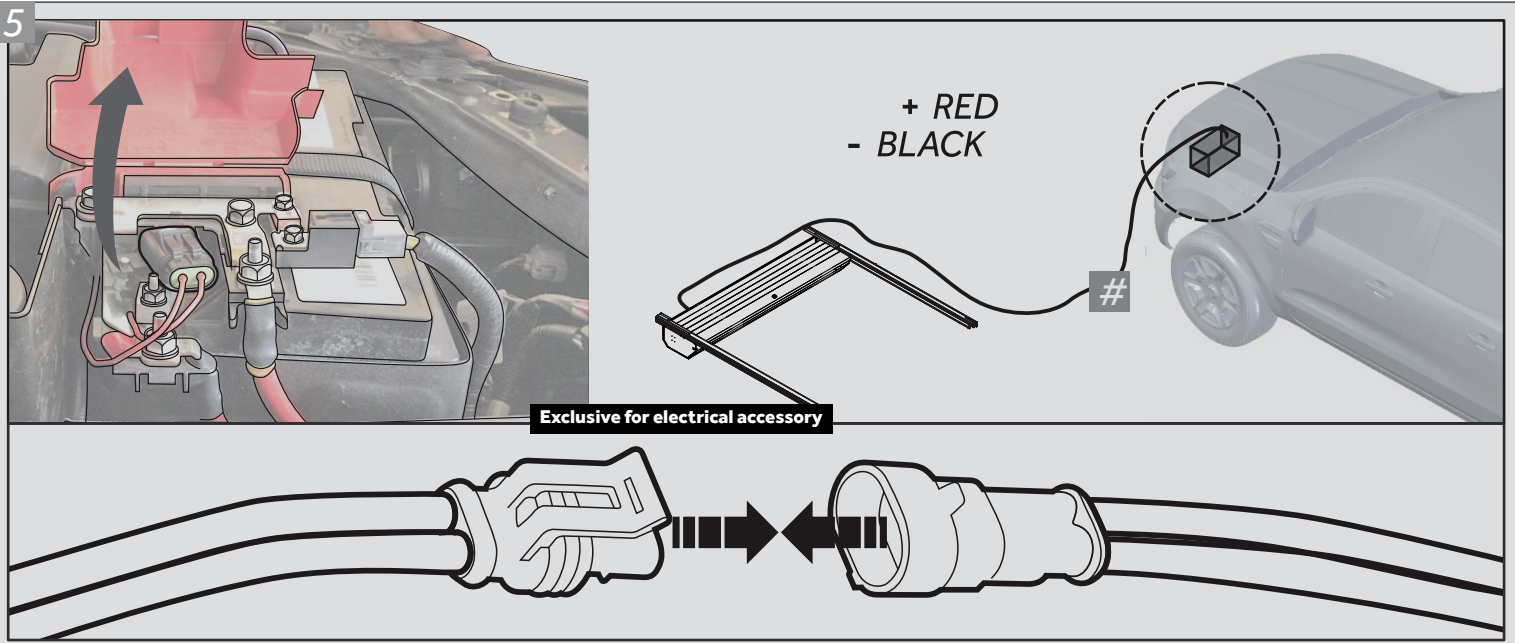
3



4

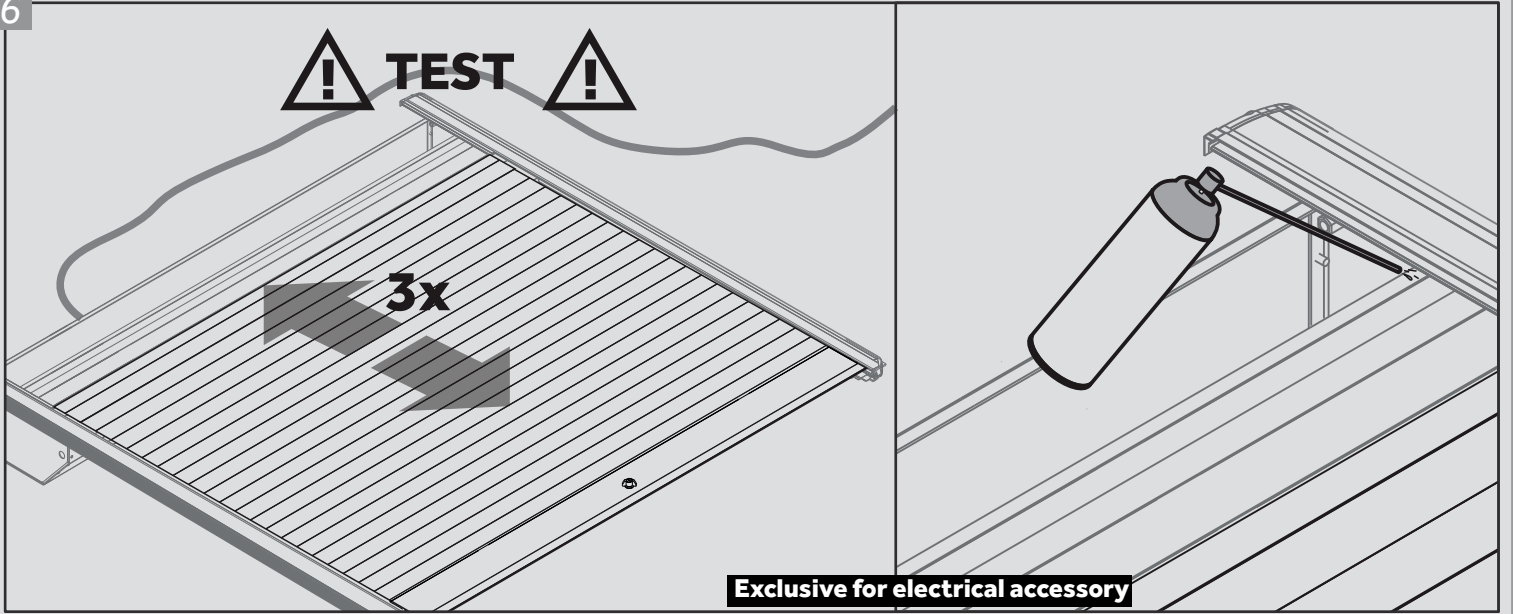


5

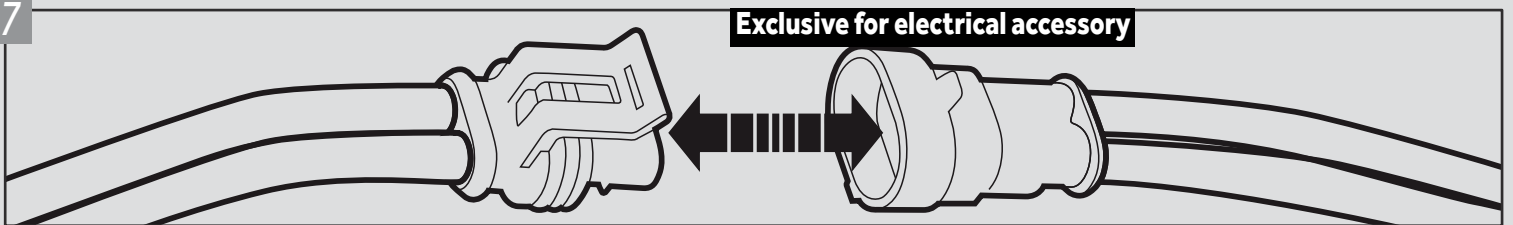


# INSTALLATION INSTRUCTIONS

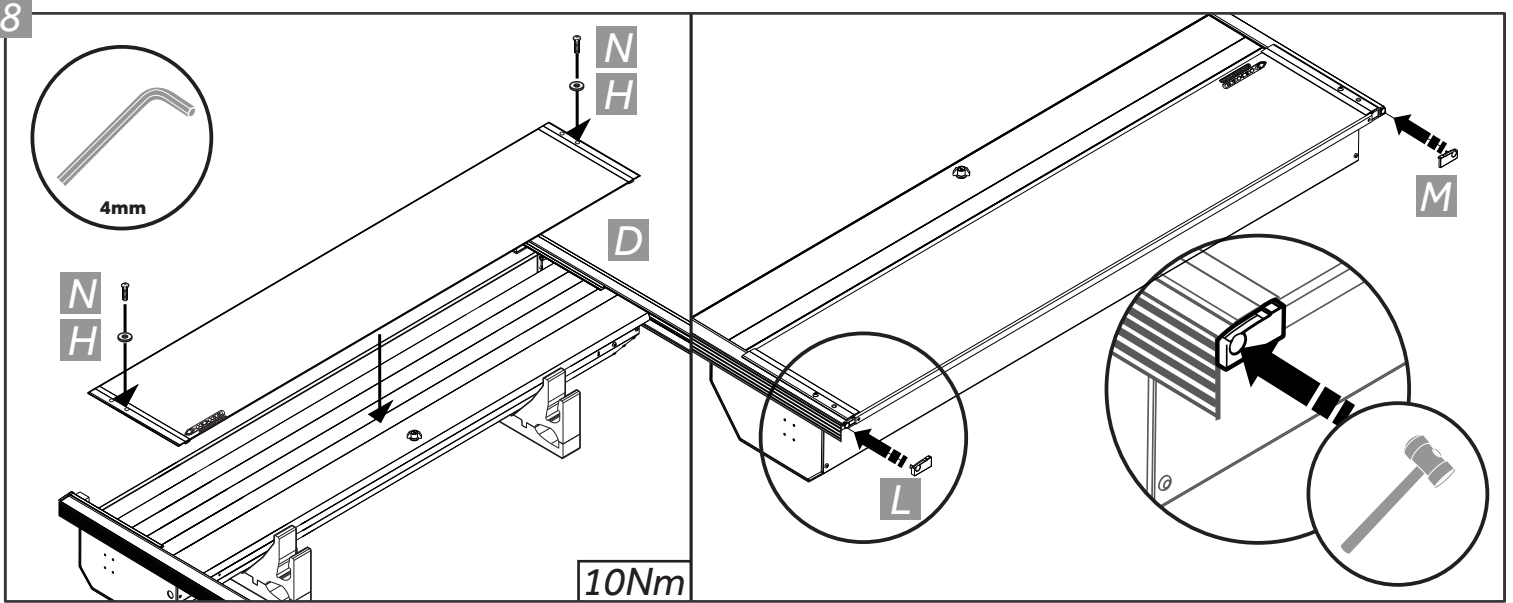
6



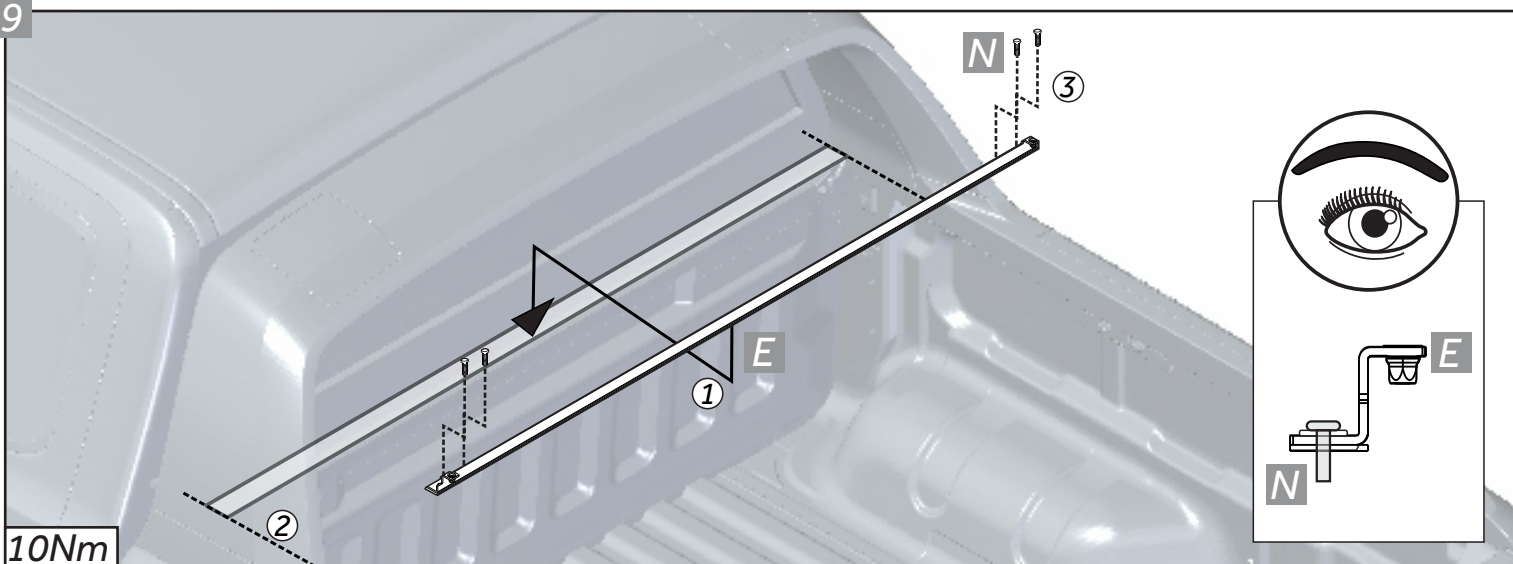
7



8

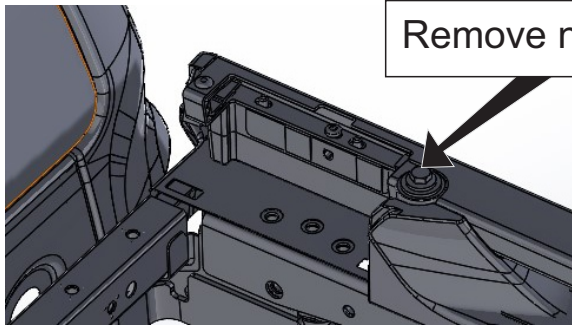


9

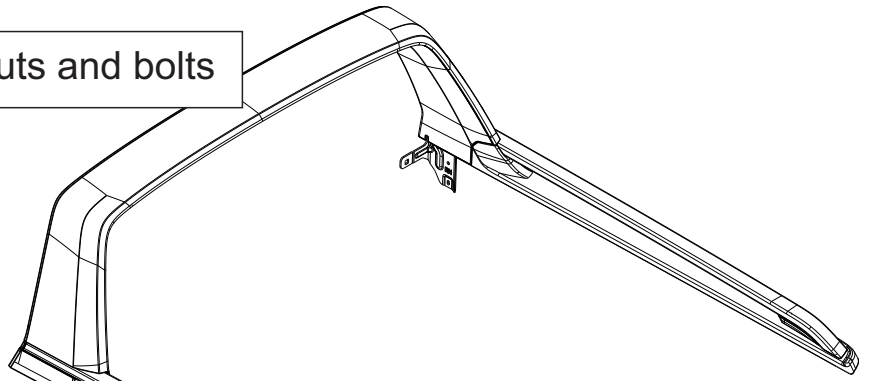




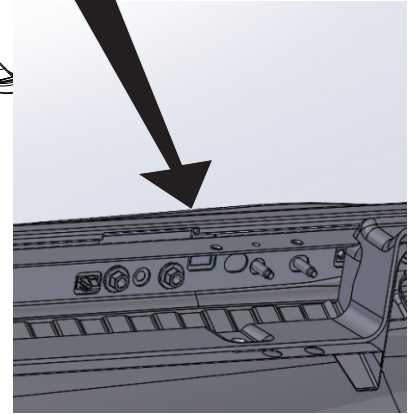
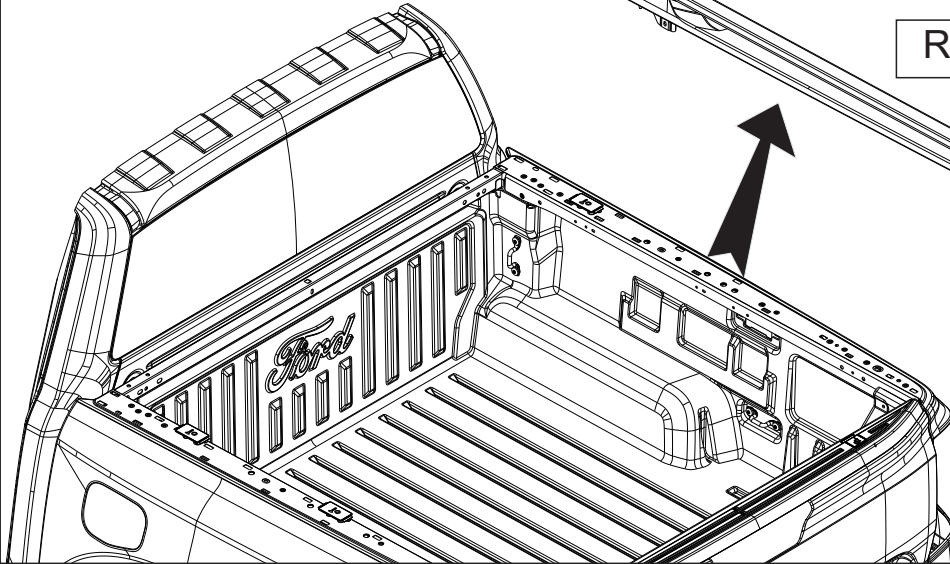
10



Remove nuts and bolts

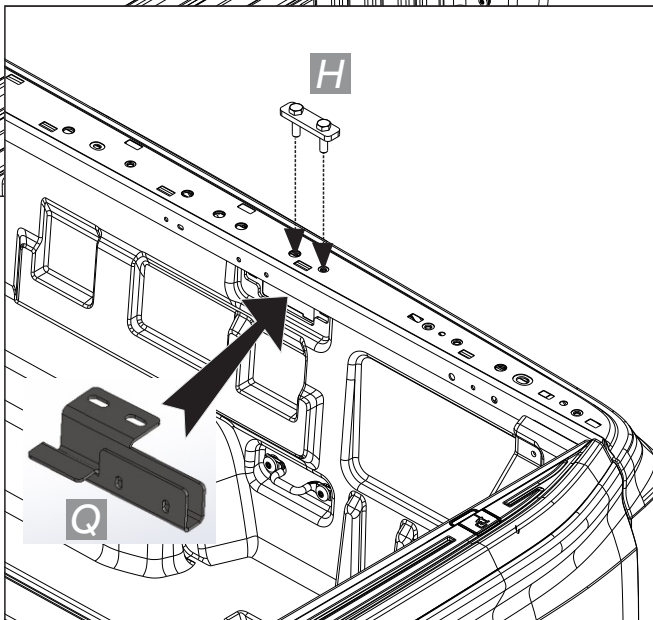
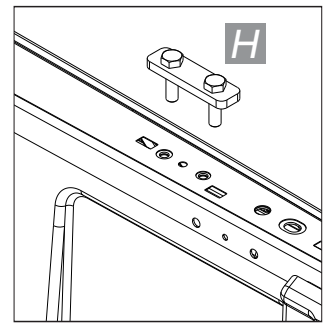
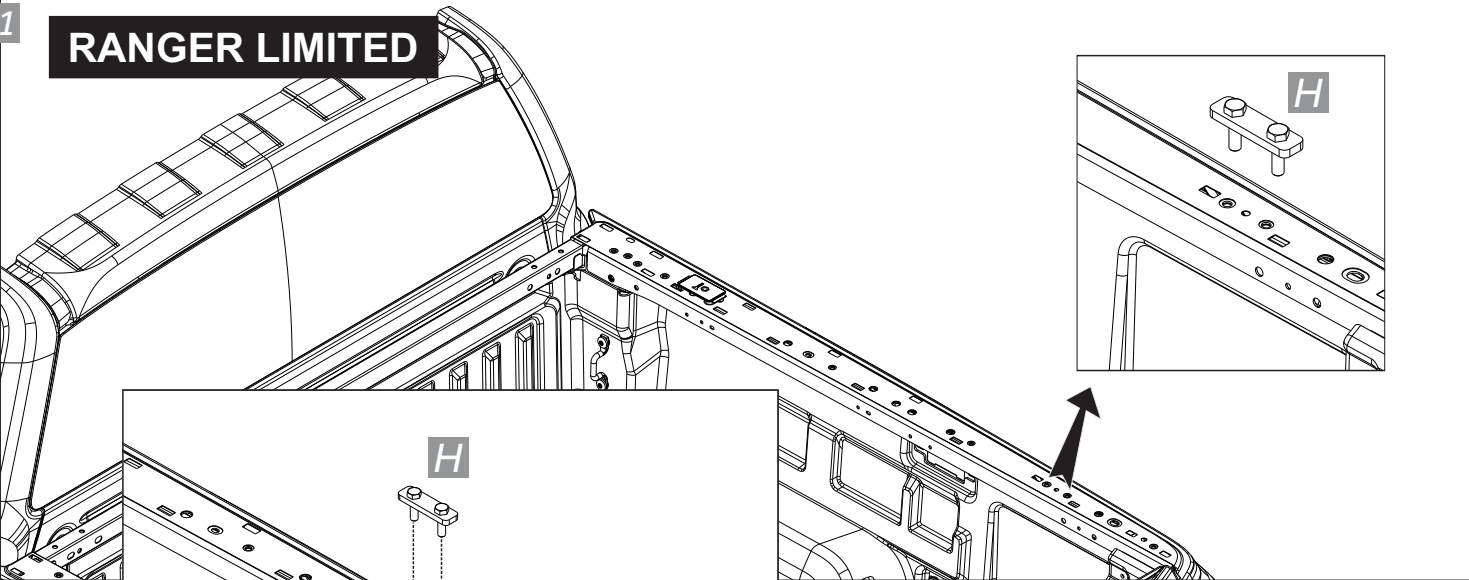


Remove nuts and bolts



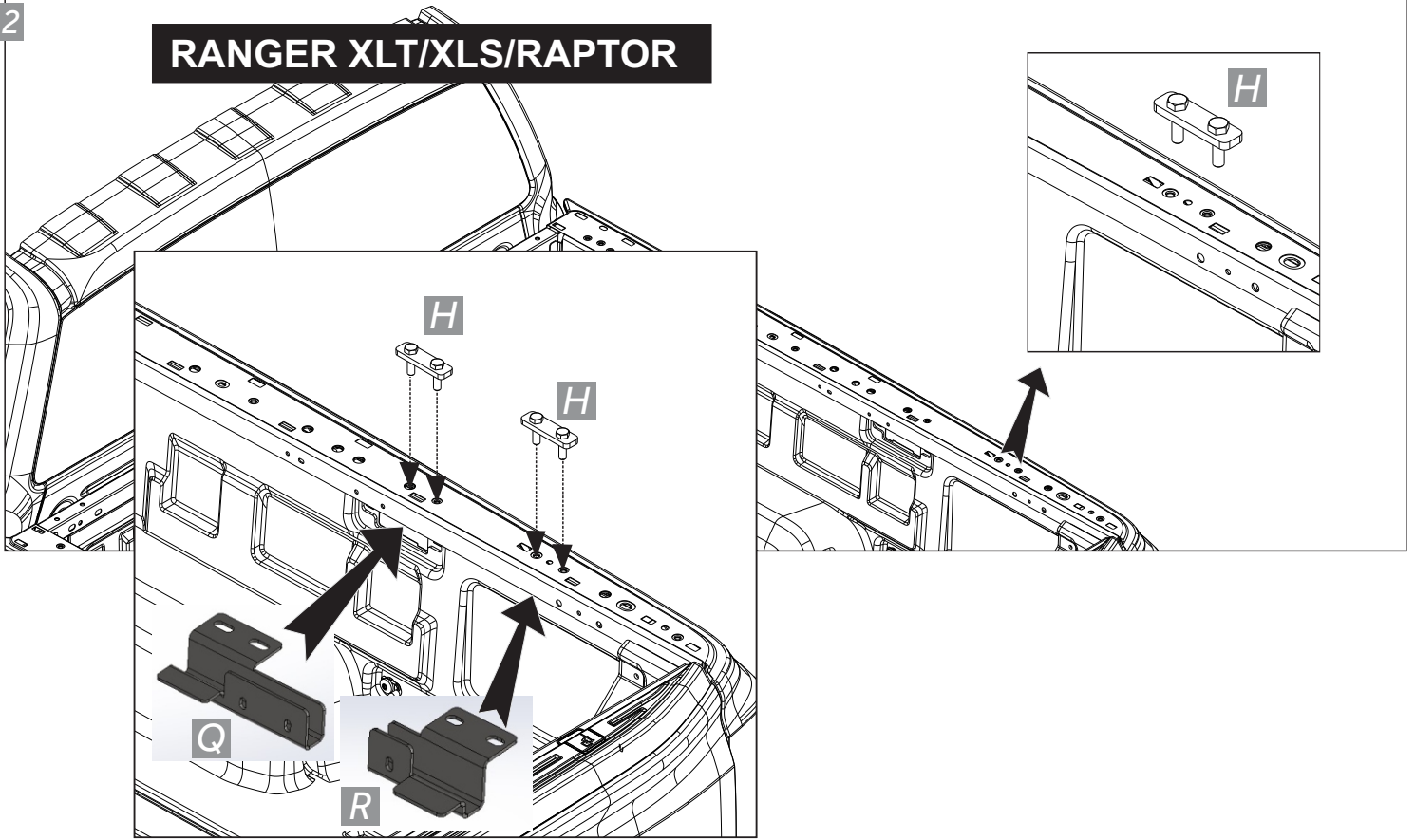
11

**RANGER LIMITED**



12

**RANGER XLT/XLS/RAPTOR**

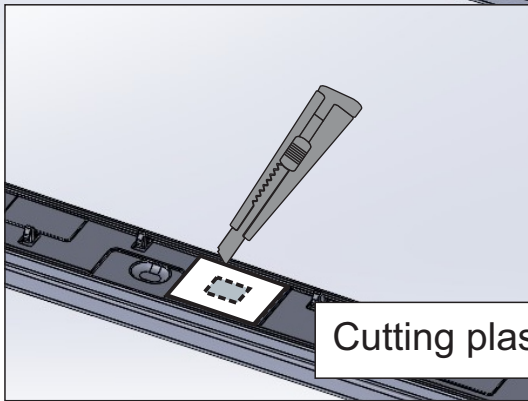


13

**RANGER LIMITED**

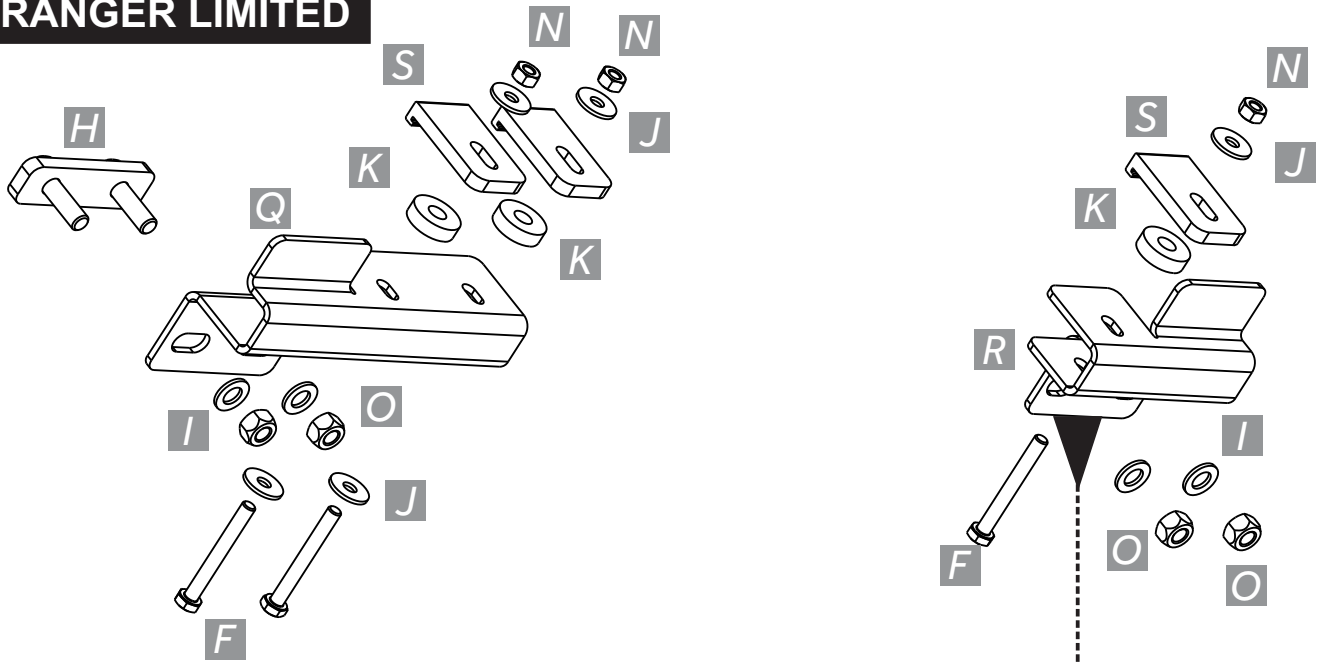
Under the accessory

Cut template

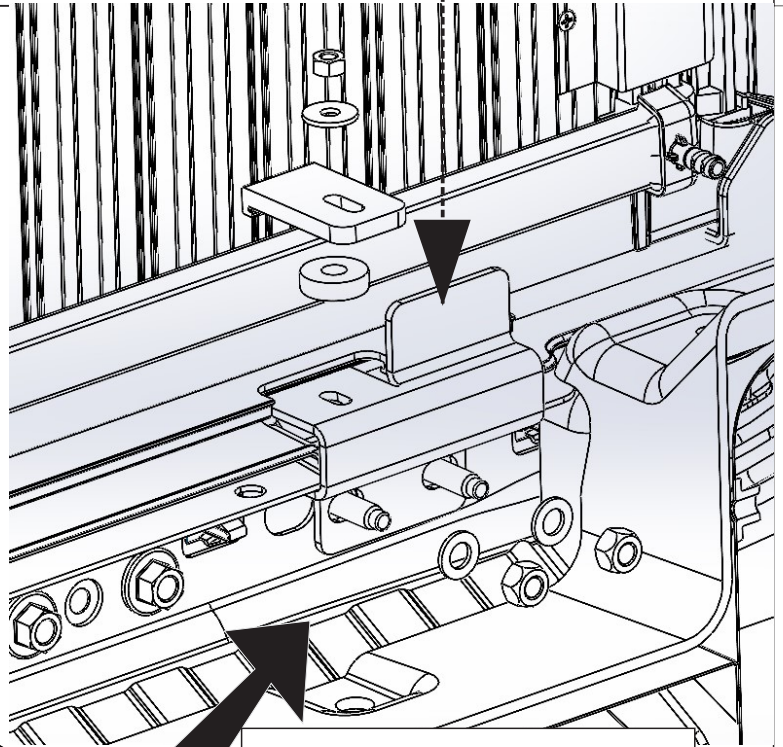


Cutting plastic part

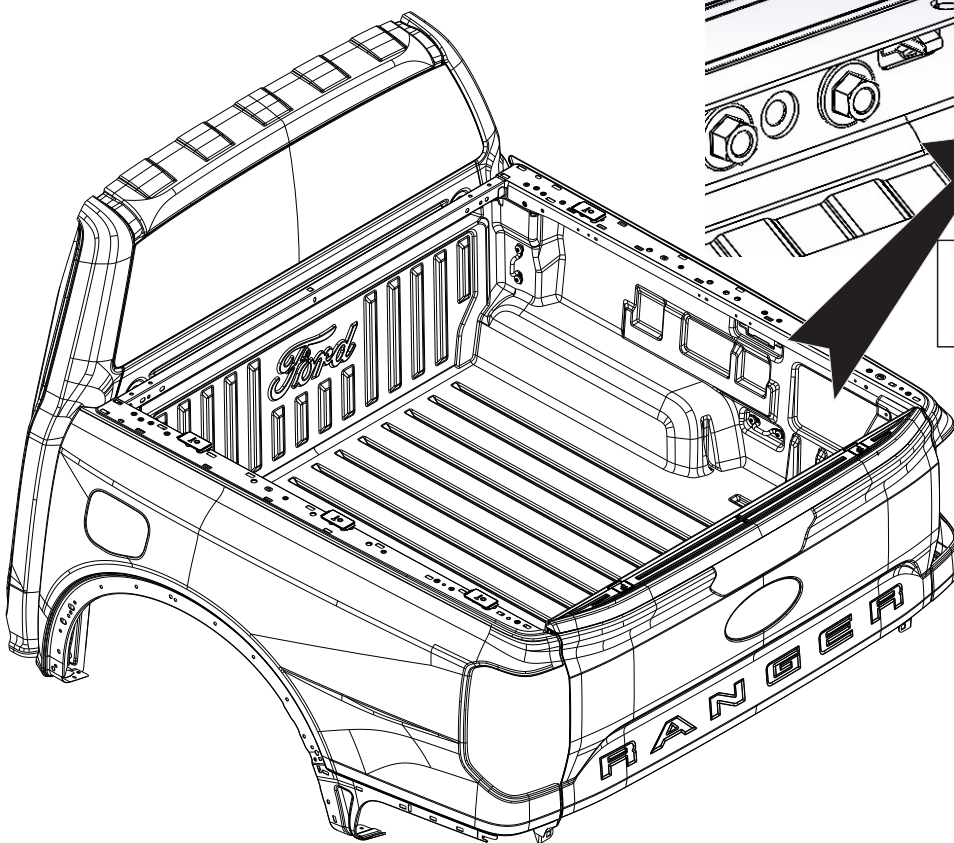
**RANGER LIMITED**



**RANGER LIMITED**

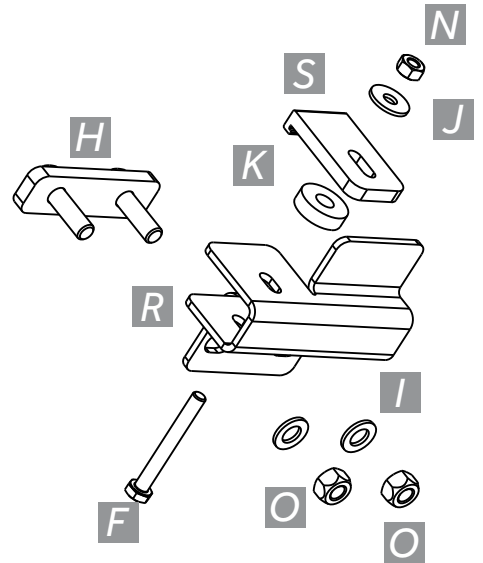
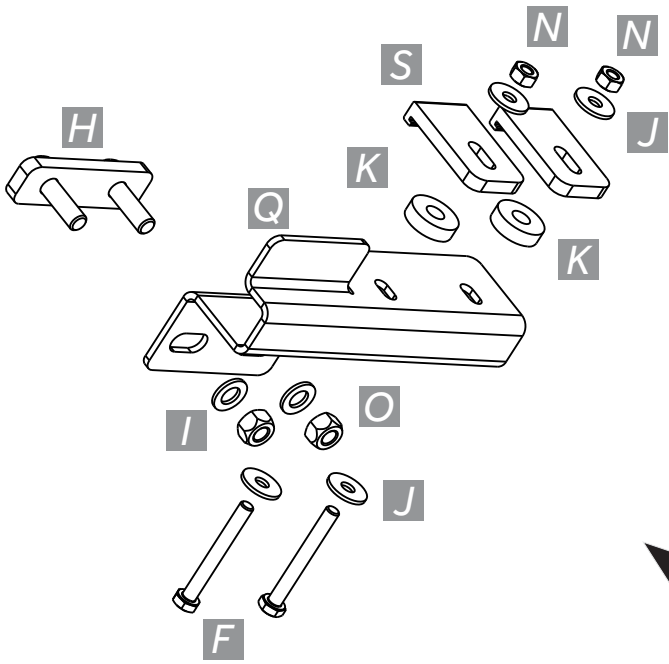


Mount together with the original accessory screws

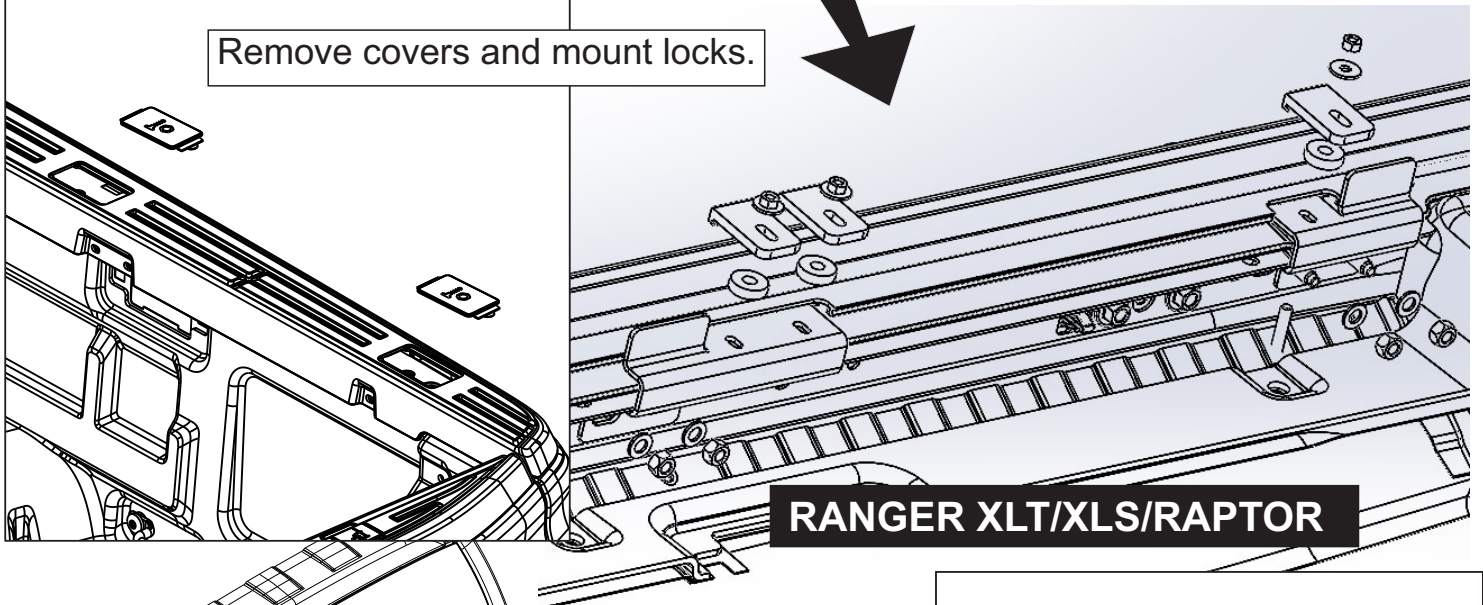




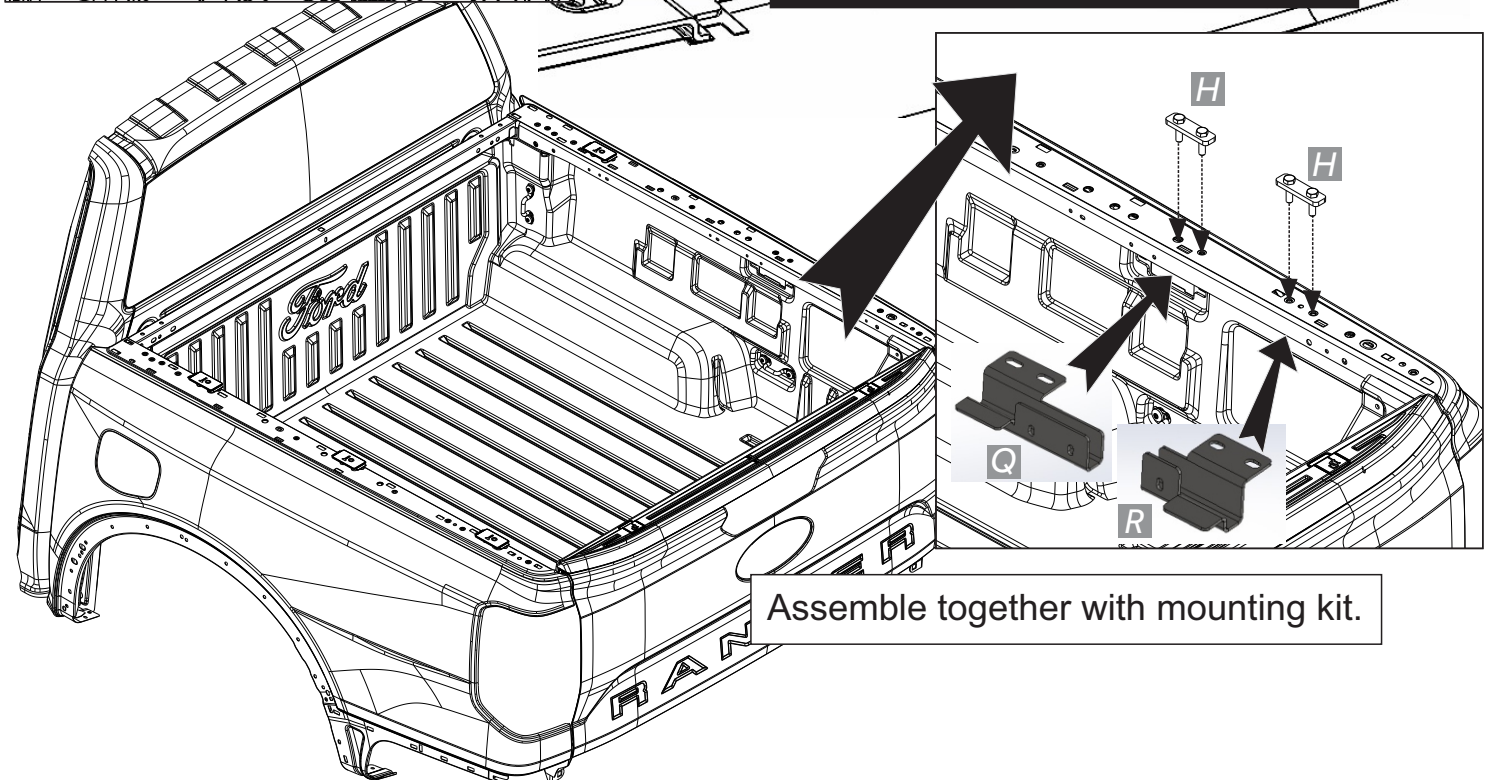
**RANGER XLT/XLS/RAPTOR**



Remove covers and mount locks.



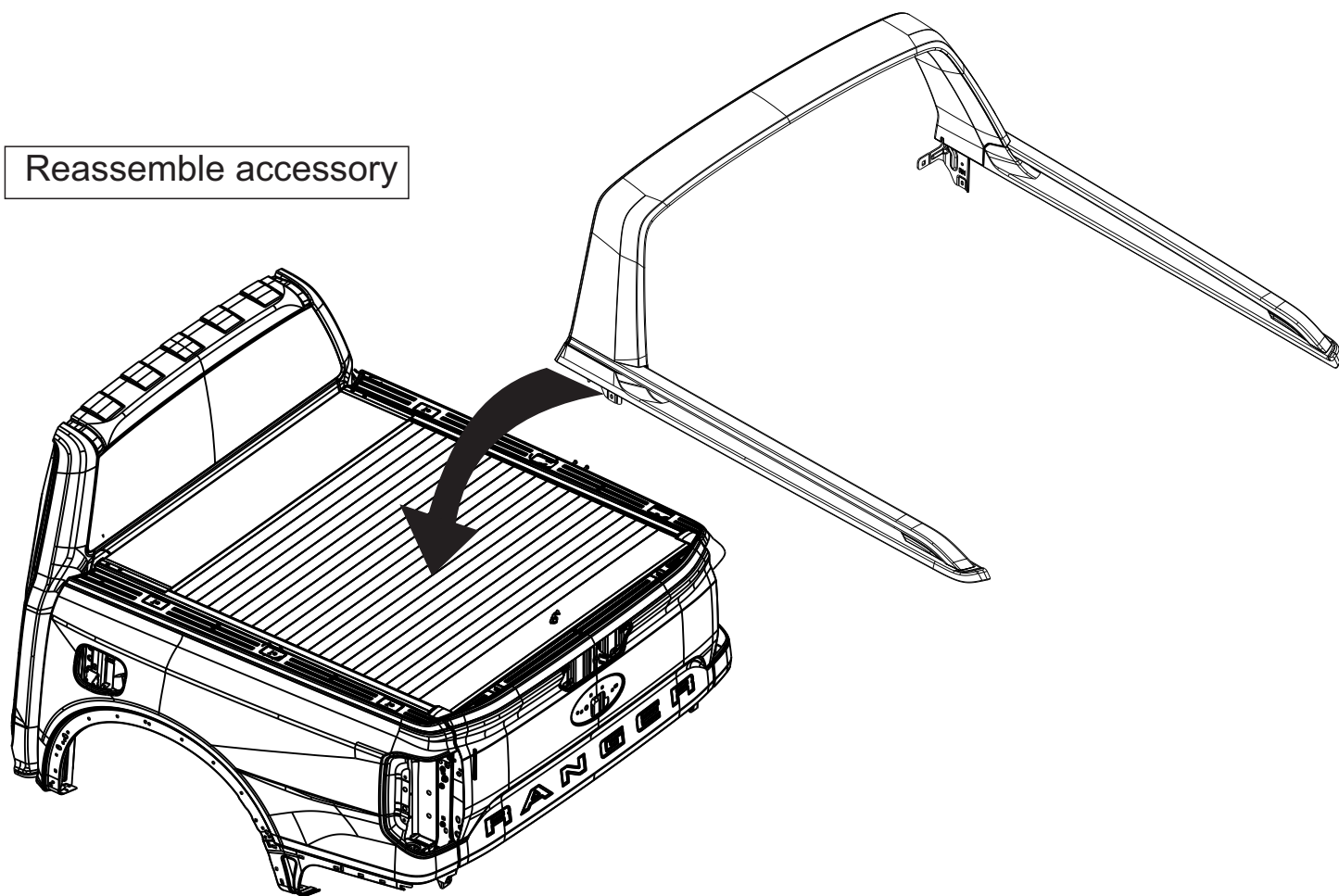
**RANGER XLT/XLS/RAPTOR**



Assemble together with mounting kit.

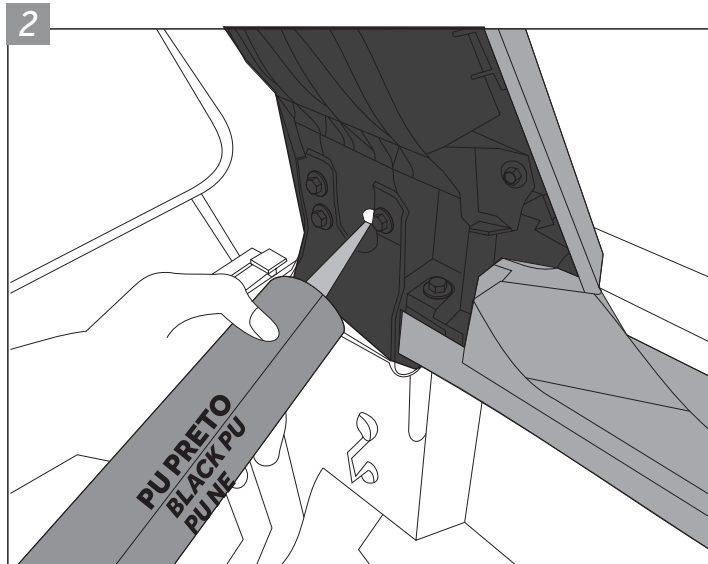
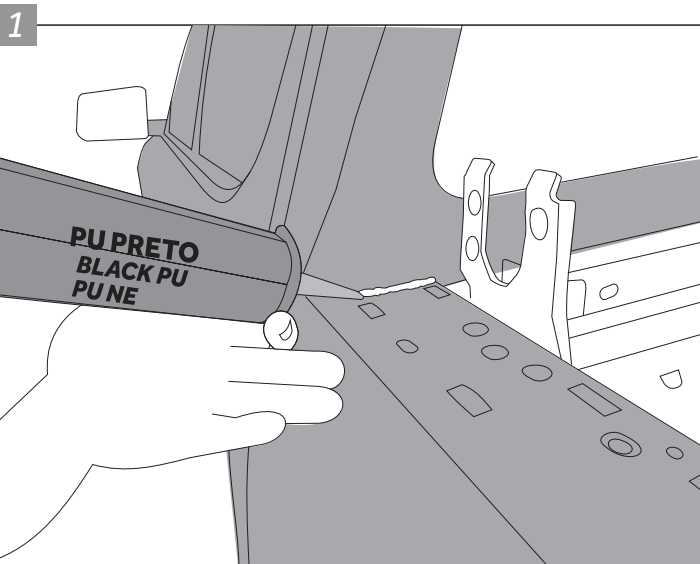
16

Reassemble accessory



Apply polyurethane

17



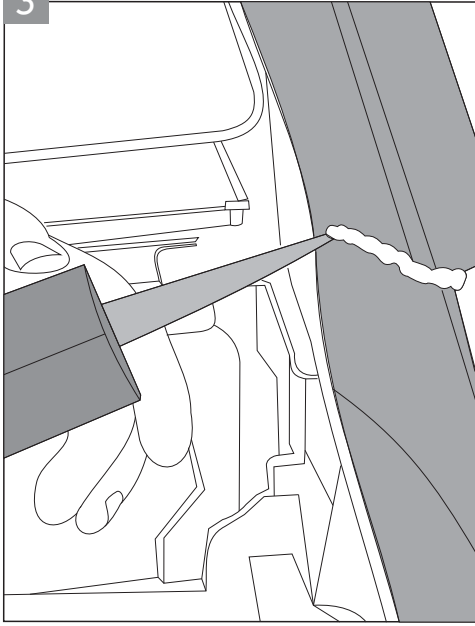
Repeat the procedure for the other side



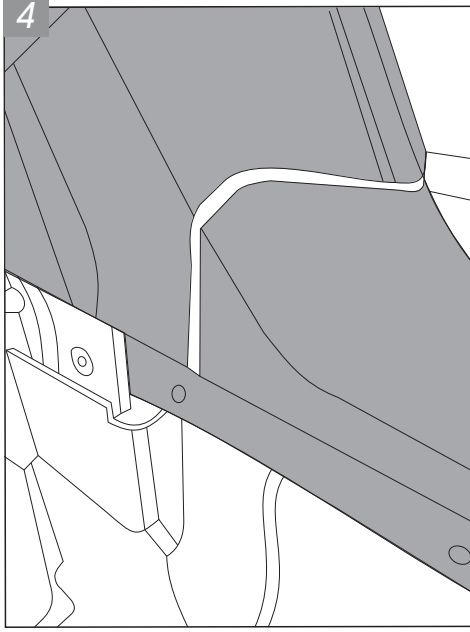
# INSTALLATION INSTRUCTIONS

17

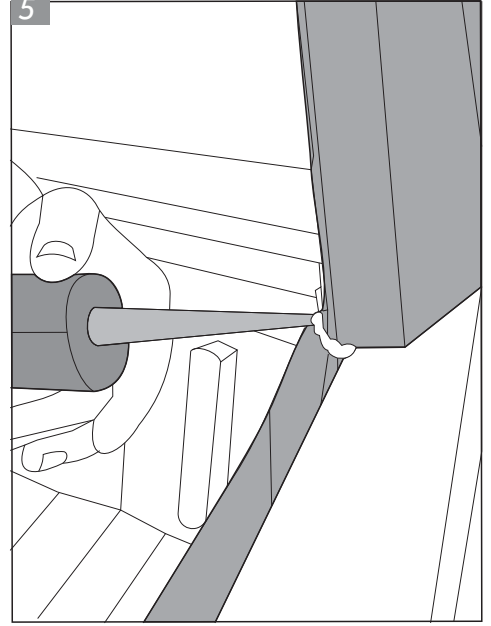
3



4



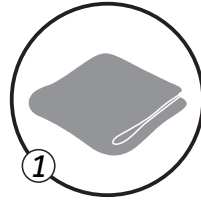
5



Repeat the procedure for the other side

After application remove excess material

Run cleanup

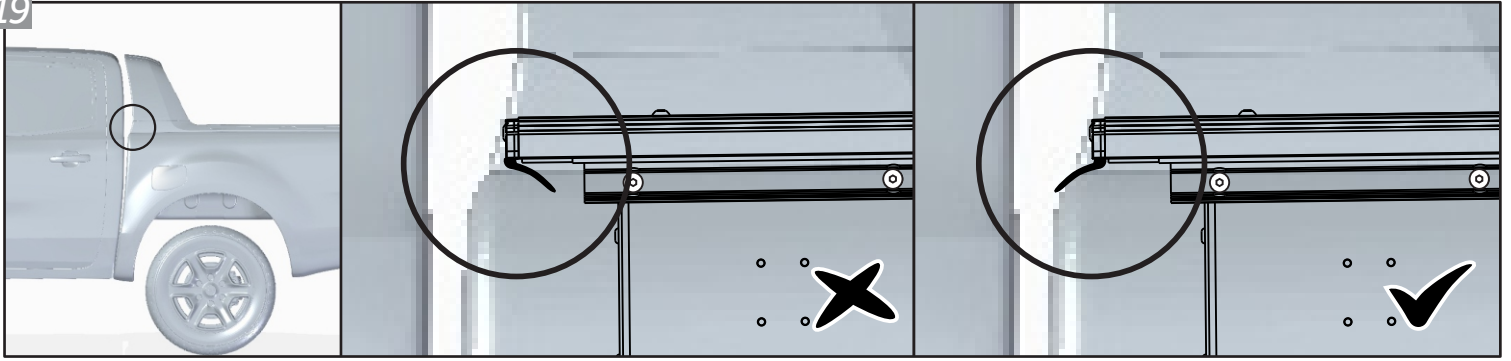


18

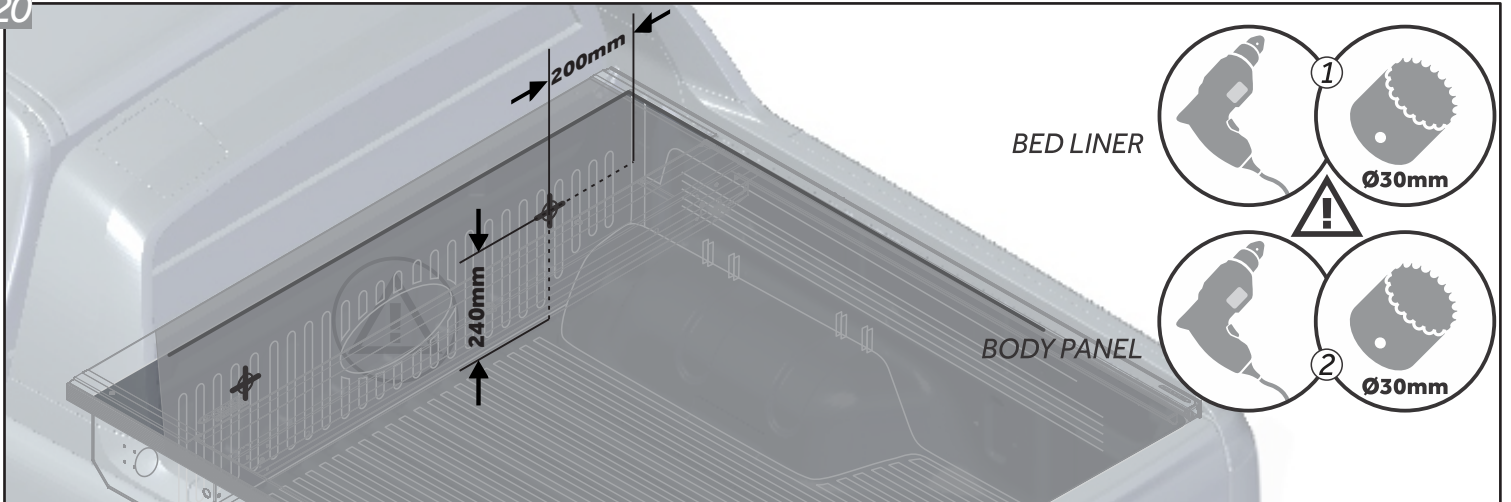


# INSTALLATION INSTRUCTIONS

19

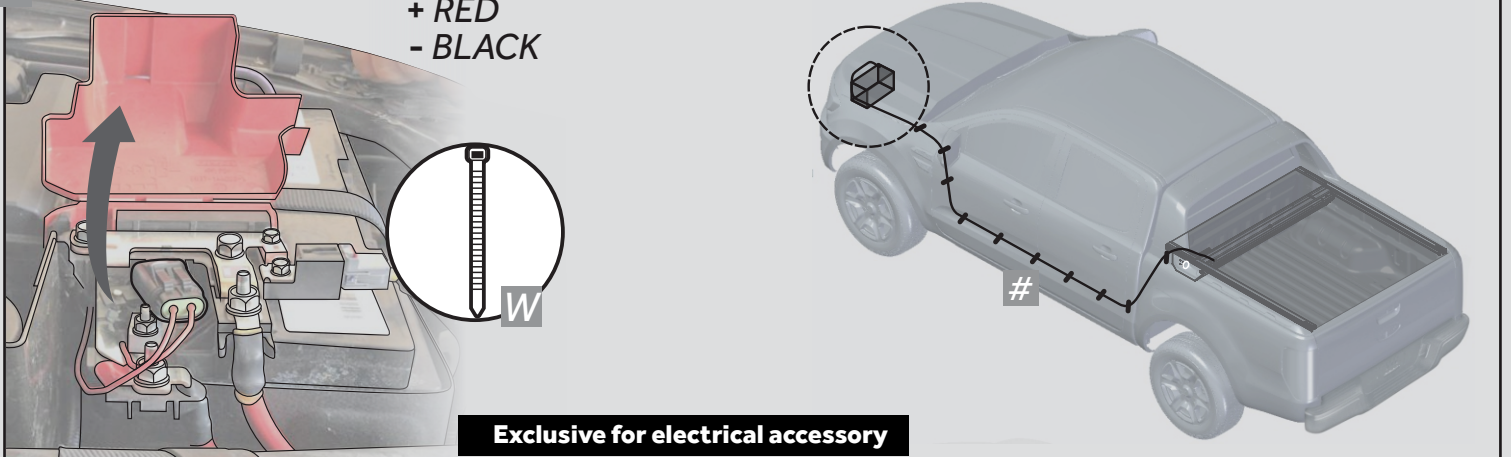


20



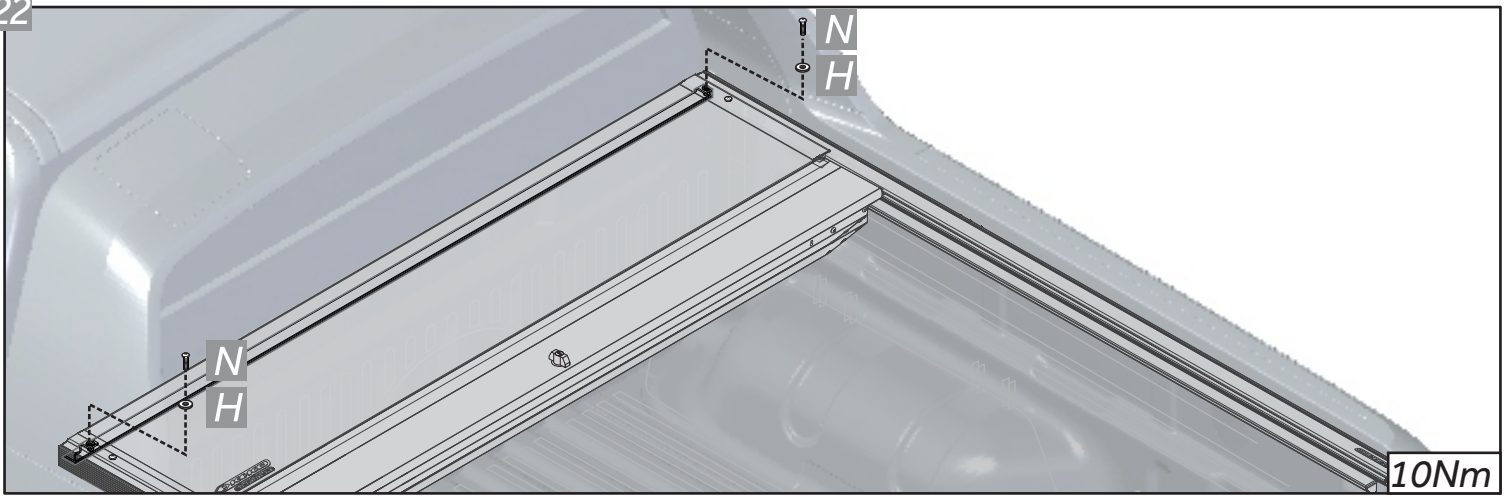
**!** If necessary, remove the bed protector to clean any metal remains that could cause corrosion. Seal off areas with potential for water or dust ingress. **!**

21



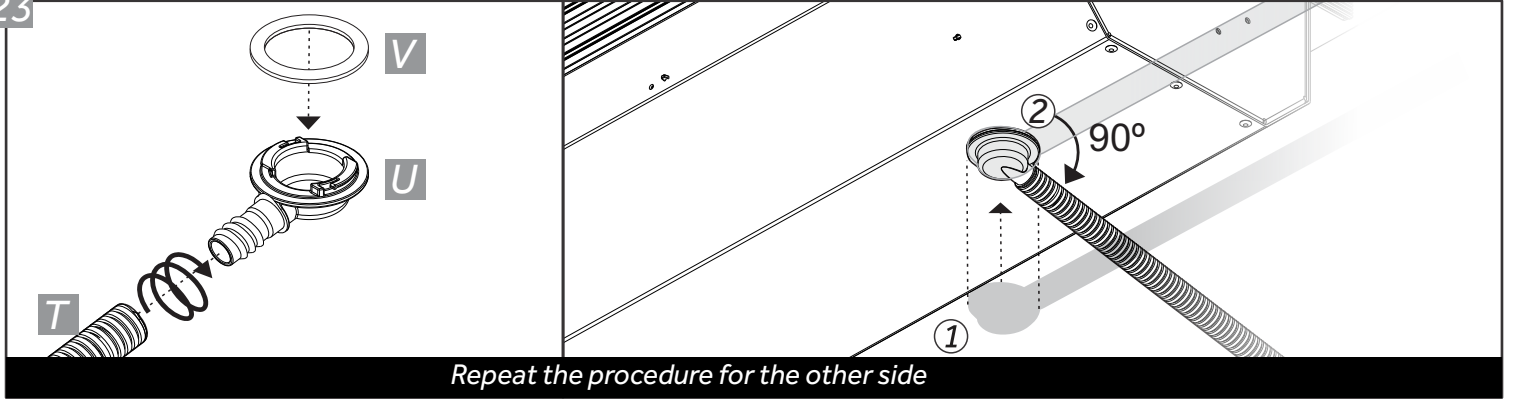
**!** Do not pass the electrical harness near of moving parts or parts with large temperature variation. **!**

22



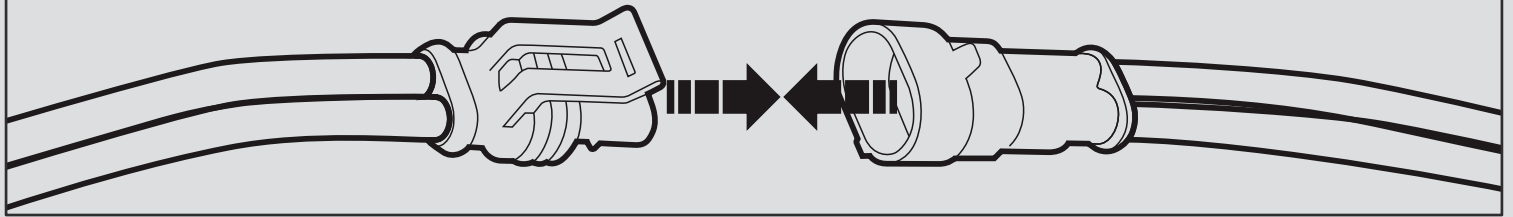
# INSTALLATION INSTRUCTIONS

23

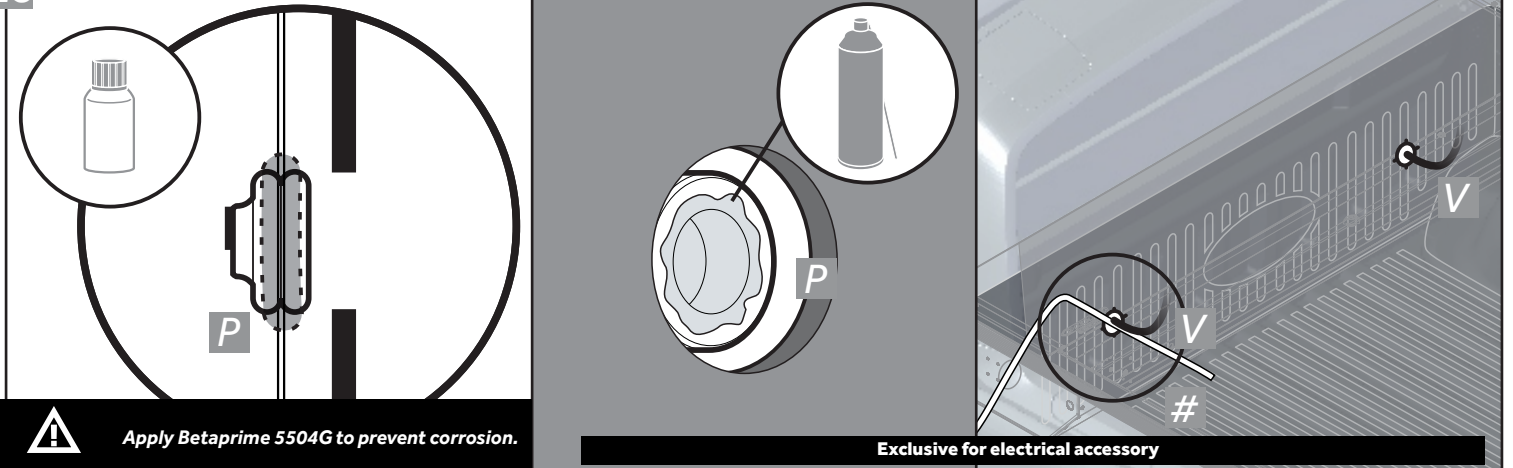


24

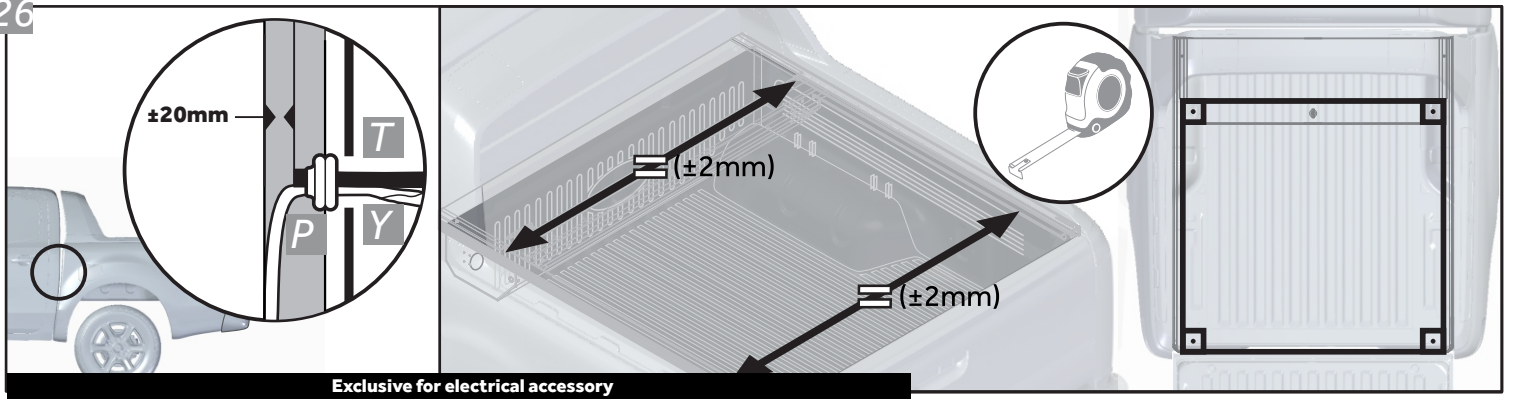
Exclusive for electrical accessory



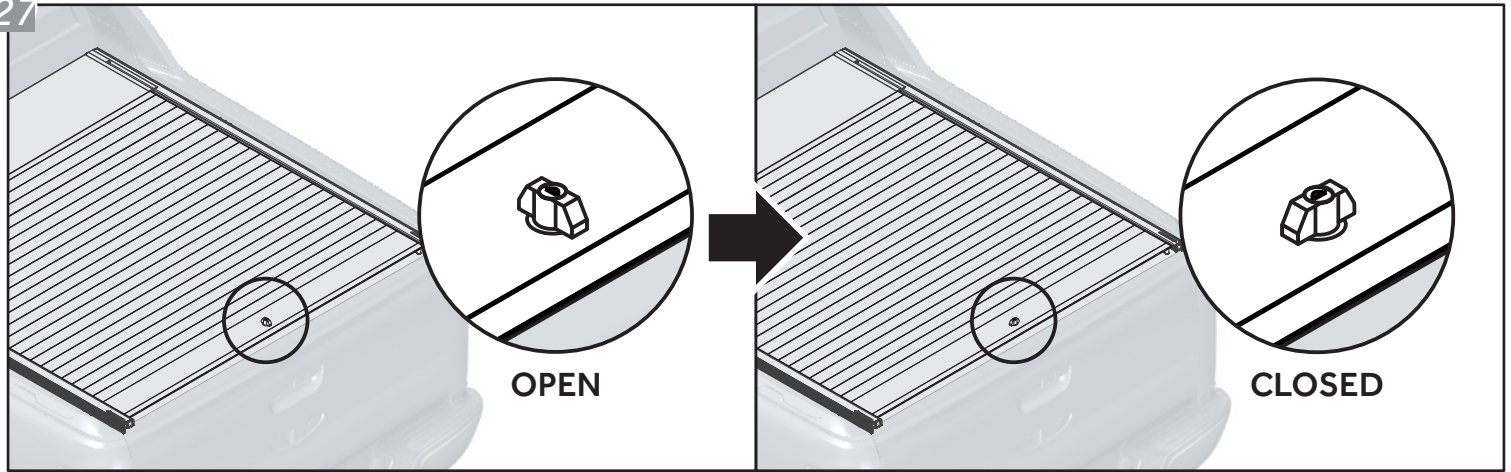
25



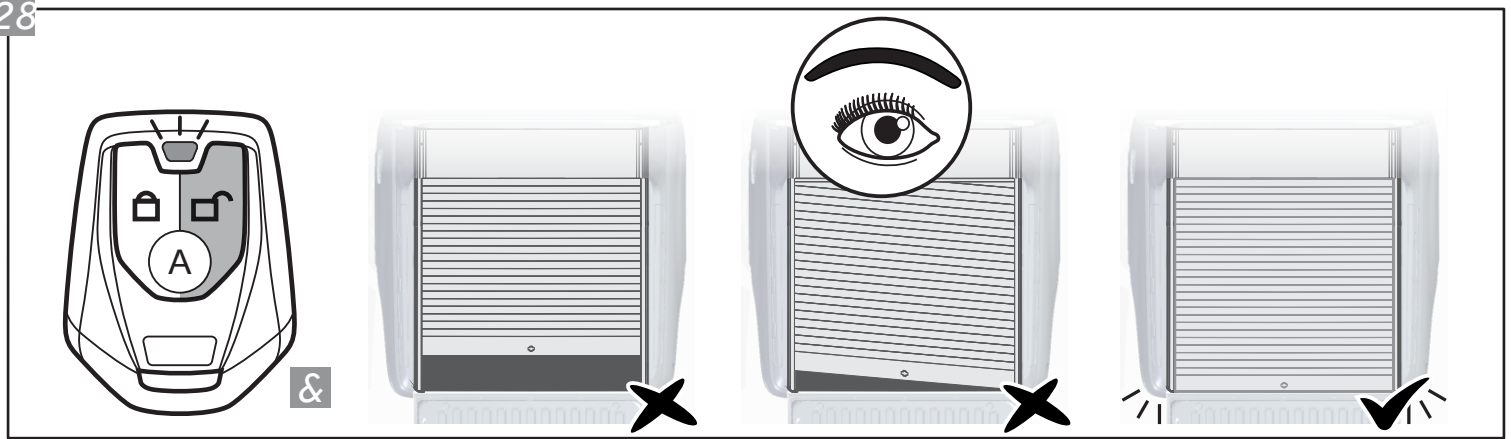
26



27



28

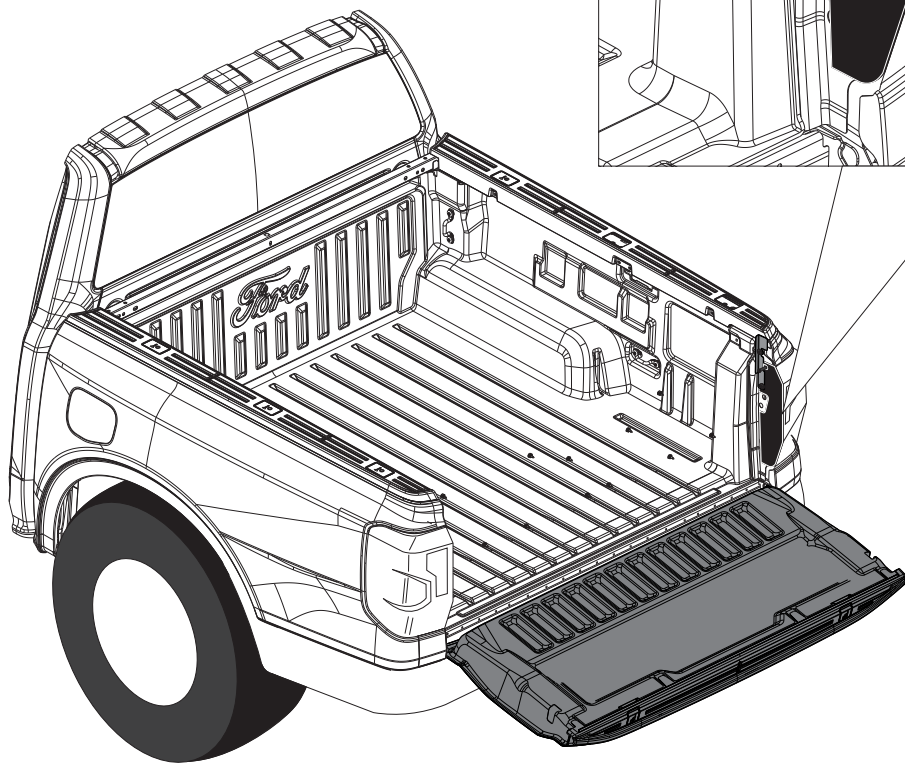
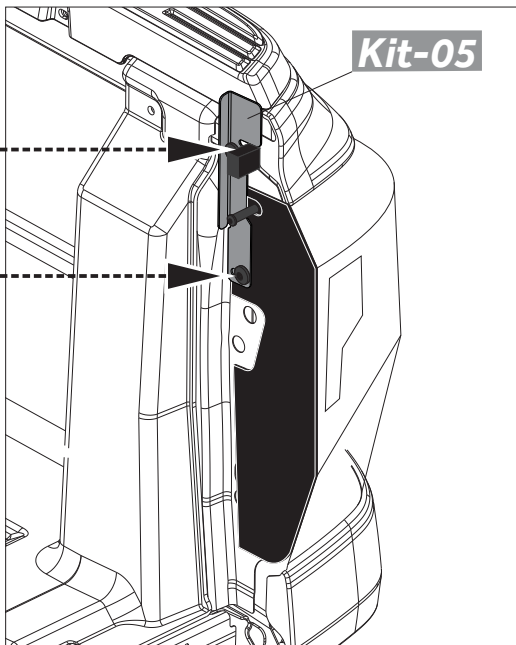




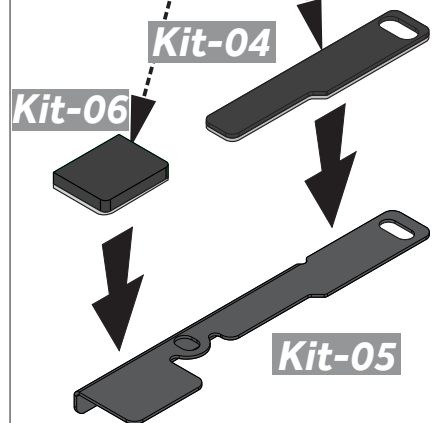
# TAILGATE SEALING KIT

**1** Repeat the procedure for the other side

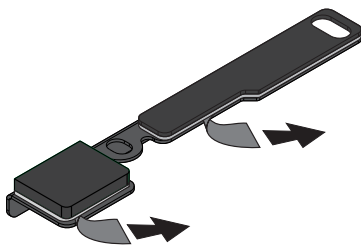
Remove the screws to run seal bonding.



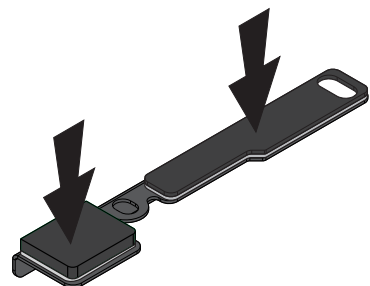
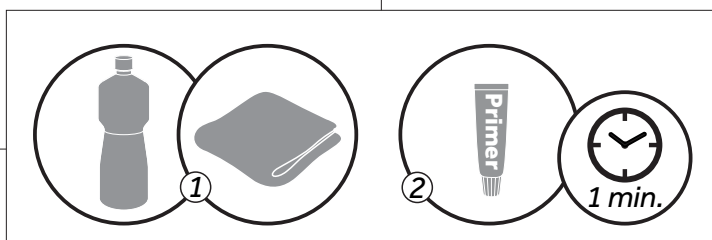
- Position and align with the part



- Partially remove the tape



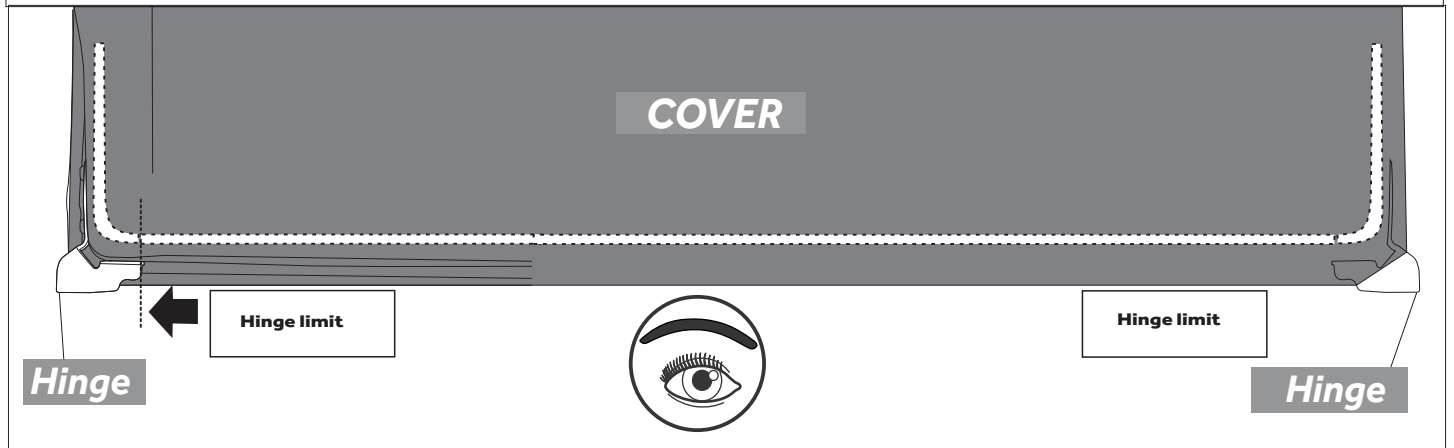
- Remove all protection from the tape and press on the part.



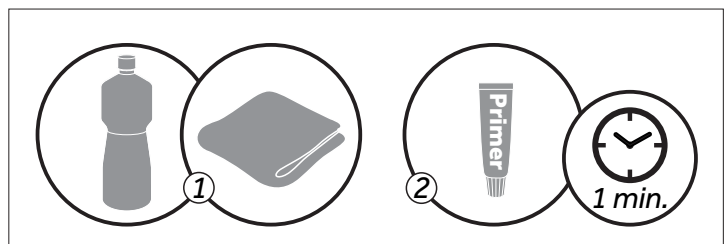
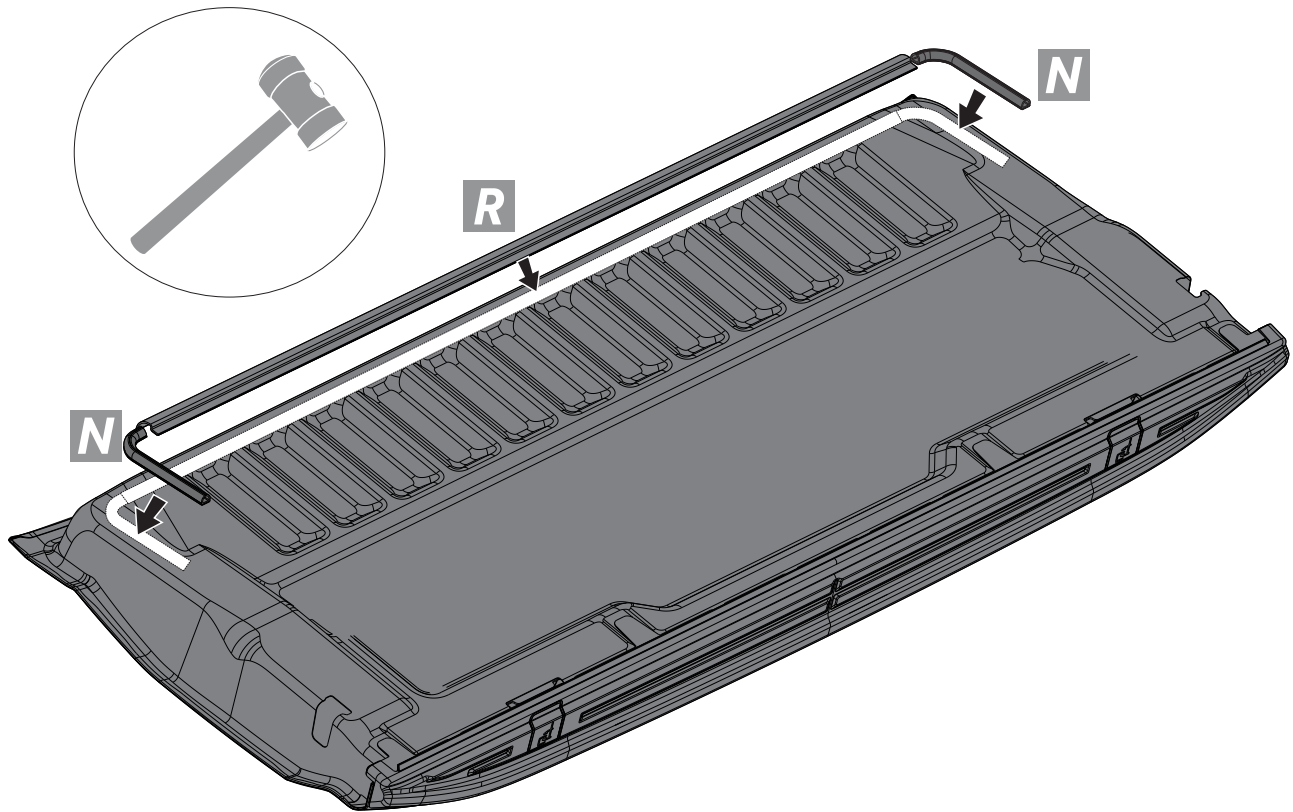


**3** Repeat the procedure for the other side

**Positioning of the rubbers on the cover**



**Pressure to adhere adhesive tape**



# Warranty

**Keko Acessórios S.A.** warrants to the original purchaser of Keko's products, for the period of one year, from the date of the purchase, that the product is free from defects in raw material, workmanship or finishing and it is Keko's obligation, under this warranty, to repair or replace, at Keko's election, any part or parts of the product which prove to be defective. This warranty shall not apply to any product which has suffered damage from collision, mishandling, misuse, incorrect cleaning, and incorrect installation or to any product that has been altered from its original conception or had its serial number (available in the product and packaging) removed.

**Maintenance, cleaning and durability:** for cleaning use only water, neutral soap and sponge or flannel. Periodically use automotive wax to conserve the chrome-plated parts. Never use chemicals or abrasive products not to scratch and expose the product to corrosion.

**Warranty Claim:** request the shop where the accessory was purchased to evaluate the defect. If proved to be Keko's liability, the part will be repaired or replaced without charge. The repair or replacement of the parts will not result in extension of the warranty term provided.

**Keko's Liability Term:** Keko does not assume any responsibility for the mishandling or wrong installation of its products. After using the product/packaging we recommend the appropriate destination for each type of material according applicable law.

**Keko's products are merely decorative and do not guarantee the safety of the occupant or vehicle in case of a rollover or other vehicle accident.**



CORTAR  
CUT

CORTAR  
CUT